

## SAVINGS THAT PICK UP SPEED.

Reduce maintenance and operating costs by installing variable frequency drives (VFD) using **saveONenergy** incentives.

LOWER  
MAINTENANCE  
COSTS

RECEIVE  
**\$2,565**  
IN INCENTIVES  
(50 HP MOTORS)

RECEIVE  
**\$4,835**  
IN INCENTIVES  
(100 HP MOTORS)

IMPROVED  
PROCESS  
CONTROL

SAVE  
UP TO  
**55%**  
IN ENERGY  
COSTS

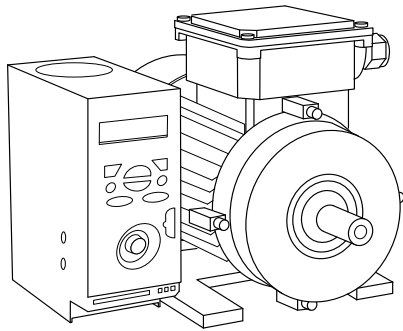
Register today for your incentive at  
[collus.saveonenergy.ca/RETROFIT](http://collus.saveonenergy.ca/RETROFIT)

## Energy Saving Tips

- A 20% reduction in motor speeds could result in 50% less demand for energy.
- VFDs may allow for smaller motors to be used by eliminating restrictive controls like valves and dampers.
- VFDs can provide energy savings to a range of systems including pumps, fans, blowers, compressors and conveyors.

## Available Incentives

Determine your incentive based on motor horsepower using the table below.



### Variable Frequency Drives

Variable frequency drives allow motor speeds to be controlled to match varying demand requirements instead of throttling controls – like valves and dampers.

This could result in savings of up to 55% in energy costs. Consult Collus PowerStream Corp. or contractor about installing VFDs or upgrading to energy efficient motors.

## How Do I Receive Incentives?

1. Register your business at [saveonenergy.ca/register](http://saveonenergy.ca/register).
2. Complete and submit pre-project incentive forms and participant agreements forms online to Collus PowerStream Corp. for pre-approval.
3. Receive approval from Collus PowerStream Corp. to proceed.
4. Upon approval, purchase and install new VFD.
5. Complete and submit post-project incentive forms to Collus PowerStream Corp.
6. Receive your incentive cheque in the mail.

## Customer Testimonial

“ Thanks to our local electric utility and **saveonenergy** incentives, using variable frequency drives on our air compressor has helped us use 50% less energy annually. In addition, having the ability to slowly accelerate or decelerate motors has reduced the wear and tear on equipment - saving us long term on maintenance costs. ”

-John Ireland  
Maintenance Manager, Weston Bakeries

### VARIABLE FREQUENCY DRIVE (VFD) INCENTIVES

Motor Size on which VFD is installed (HP)	Participant Incentive (\$/VFD)
1	\$50
1.5	\$80
2	\$105
3	\$160
5	\$265
7.5	\$400
10	\$535
15	\$805
20	\$1,070
25	\$1,340
30	\$1,610
40	\$2,145
50	\$2,565
60	\$3,220
75	\$3,980
100	\$4,835

\*For new installations only

## How Do I Learn More?



[colluspowerstream.ca/retrofit](http://colluspowerstream.ca/retrofit)



1-855-215-7235



[BusinessConservation@collus.com](mailto:BusinessConservation@collus.com)



Subject to additional terms and conditions found at [saveonenergy.ca](http://saveonenergy.ca). Subject to change without notice. Funded by the Independent Electricity System Operator and offered by Collus PowerStream Corp. A mark of the Province of Ontario protected under Canadian trade-mark law. Used under licence. <sup>SM</sup>Official Marks of the Independent Electricity System Operator. Environmental impacts and cost savings are estimations and may vary depending on location, model, time of use, operating conditions and other variables. The environmental impacts and cost savings estimations are assumptions based on currently available information, industry trends, variables, and uncertainties. Actual environmental impacts and cost savings estimations may differ. No representation is made or implied as to the accuracy of environmental impacts and cost savings estimations. Please contact an equipment manufacturer or Collus PowerStream Corp. to learn about savings specific for your situation.